

# More Precision.



## optris® CText

Accessory kit for the use in hazardous locations



### FEATURES

- Cost saving solution by simple concept
- Sensing head as simple electrical device enables installations in hazardous locations without problems
- Energy limitation with appropriate zener barriers (STAHL) with approval for zone 1 (PTB 01 ATEX 2053/ E II (1/2) G [EEx ia/ib] IIC/IIB)



### Concept

- optris® CT sensing heads are defined as simple electrical devices (according to EN 50014)
- no special approval for intrinsic safety necessary
- optris® CT gets intrinsically safe by limitation of the energy with two double zener barriers, type 9002/22-032-300-111 (R. STAHL AG)

### Zener barriers

Double zener barriers (type 9002/22-032-300-111 <sup>1)</sup>) are not included in the scope of supply.

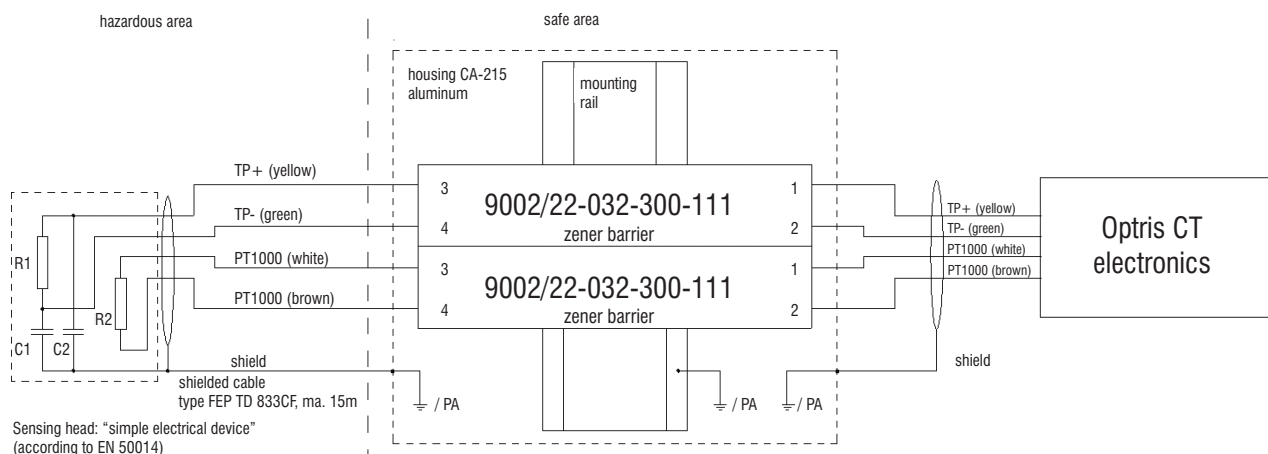
Source: company R. STAHL AG/www.stahl.de  
unit price: appr. 80,- €

<sup>1)</sup> NOTE: The functionality and correct reading of the CT sensor can only be guaranteed, if the recommended barriers are used.

### Scope of supply

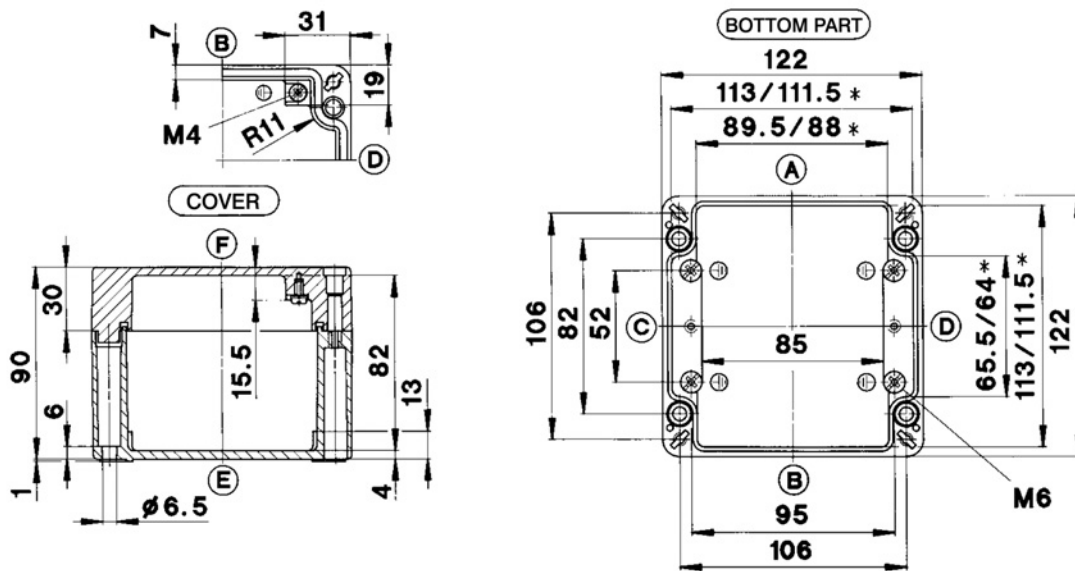
- aluminum housing with mounting appliance for two zener barriers and CT electronics
- pre-assembled cable for CT electronics
- CD with software tool for calibrating the barrier resistance into the head code

### Connection diagram



# optris® CTex

## Dimensions (housing/alu)



## Technical data (zener barriers) <sup>2)</sup>

### Type 9002/22-032-300-111

Approvals	Europe (CENELEC)	for zone 1: PTB 01 ATEX 2053
		for zone 2: PTB 01 ATEX 2054
	USA	FM approval 3010778
	Canada	CSA 1284580 (LR 43394)
Explosion protection	Europe (CENELEC)	for zone 1: E II (1/2) G [EEx ia/lb] IIC/IIB
		for zone 2: E II 3 G EEx nA II T4
	USA	I.S. circuits for: class I, II, III, division 1, groups A, B, C, D, E, F, G
		I.S. circuits for: class I, zone 0, group IIC
		class I, division 2, groups A, B, C, D
	Canada	class I, zone 2, group IIC
		I.S. circuits for: class I, groups A, B, C, D; class II, groups E, F, G
		class III
		class I, division 2, groups A, B, C, D
	class I, zone 2, groups IIC	
Installation	in zone 2, division 2 and in safe area	
Environmental rating	acc. to IEC 60529/terminal IP 20/housing IP 40	
Ambient temperature	-20°C to 60°C	

<sup>2)</sup> Declaration of company R. STAHL AG